

Instruction Manual

Pair of 10.2" TFT/LCD Left & Right Sun Visor Monitors



PLVSR10BK



PLVSR10GR

HAZARD WARNING:
PLEASE DO NOT OPERATE THIS UNIT UNLESS VEHICLE IS PARKED
IN SAFE AND LEGAL AREA

TFT LCD MONITOR

TFT LCD MONITOR

Appearance and Function

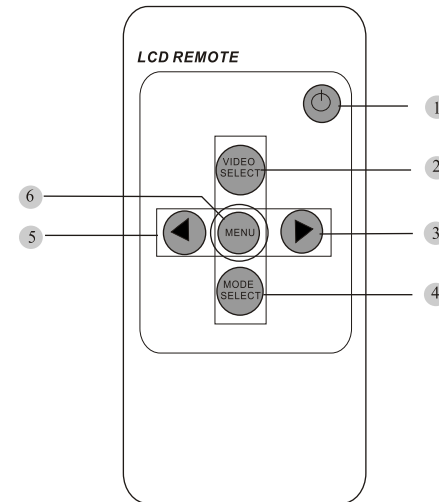


Function parameter

10.2" TFT/ LCD Sun Visor Monitor
Selectable Display Sizes: 10.2" ,8.5" ,7" ,5.6" , 4.5"
Universal Mount Visor for left/Right Side
Hard Texture Construction
Wide Viewing Angle
Dual Video Input
Blue Screen Function When No Signal
25:9 / 23:9 / 16:9 / 4:3 /1:1 Adjustable Viewing Ratio
PAL/NTSC
For Use with VCD/DVD/GPS/ Camera
Brightness: 350 CD/M²
Resolution: 1440 H x 234 W
Wireless Remote Control
Full Mirror when Powered Off
Anti Glare Mirror
DC 12 Volt
Dimensions: 15.6"W x 6.9" H x 1"D
Power Supply: DC 12V

Function of remote control

Refer to the diagram of cover



Introduction of function keys

1. Switch for power supply.
2. V1/V2 selecting
3. Increase button
4. Selecting nine display mode
5. Reduces button.
6. Menu (brightness,colors,contrast)button